



Anesthesia (Conventional Laryngoscopes & Sets)



Fig. 0



Fig. 1



Fig. 2



Fig. 1



Fig. 2



Fig. 3

mm	Fig.	MACINTOSH	Spare Lamp
55	0	LY020.00	LY200.10
75	1	LY021.01	LY200.12
90	2	LY021.02	LY200.12
110	3	LY021.03	LY200.12
135	4	LY021.04	LY200.12

mm	Fig.	MILLER	Spare Lamp
55	0	LY040.00	LY200.10
80	1	LY041.01	LY200.10
130	2	LY041.02	LY200.10
170	3	LY041.03	LY200.12
180	4	LY041.04	LY200.12



**WARM
LIGHTING**



Fig.	Handle	Complete Set
1 - 3	Medium	LY220.12
1 - 4	Medium	LY220.10

Fig.	Handle	Complete Set
1 - 3	Medium	LY240.30
1 - 4	Medium	LY240.40



Anesthesia (Fiber Optic Laryngoscopes & Sets)

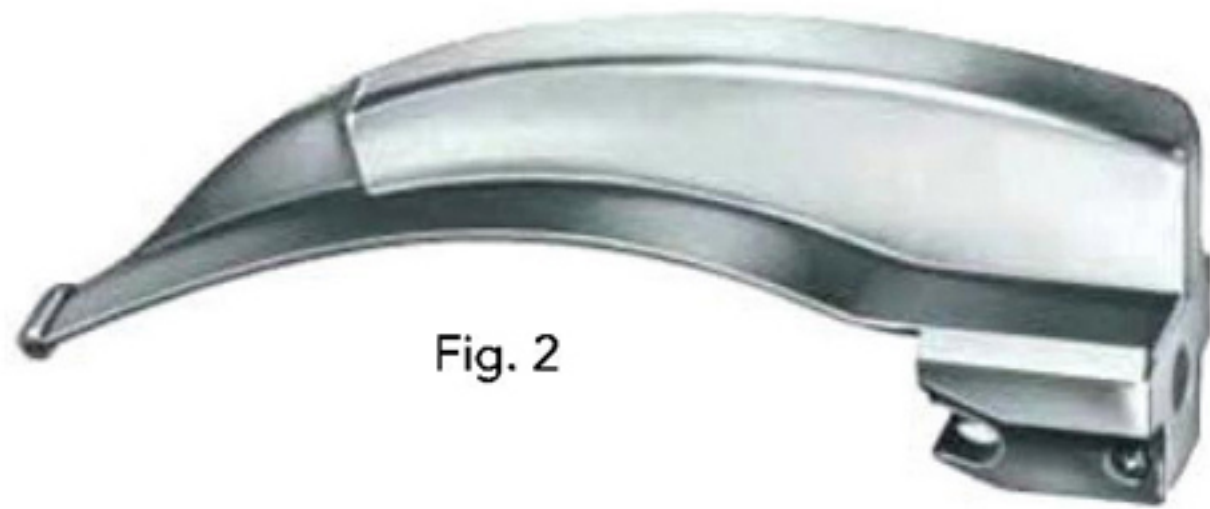


Fig. 2

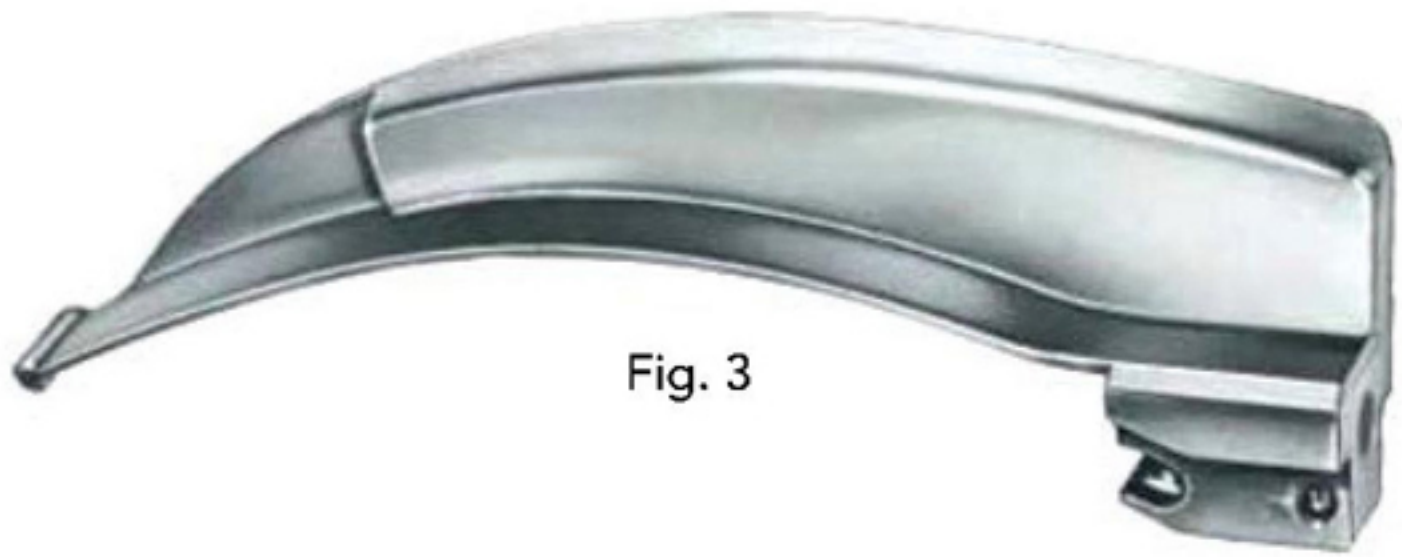


Fig. 3



Fig. 4

mm	Fig.	MACINTOSH
55	0	LY520.00
70	1	LY521.01
85	2	LY521.02
115	3	LY521.03
130	4	LY521.04

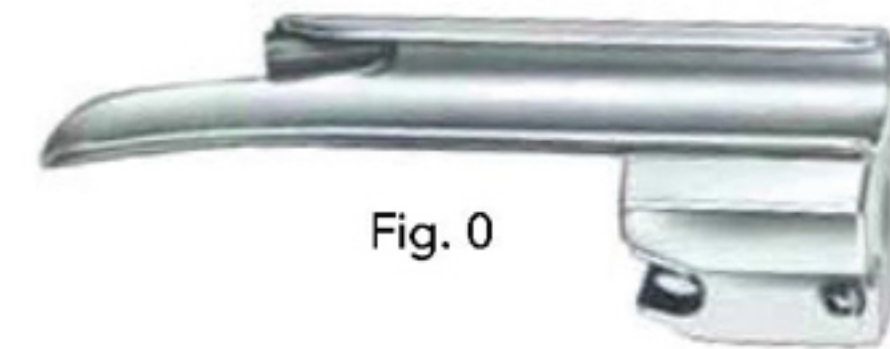


Fig. 0



Fig. 1



Fig. 2

mm	Fig.	MILLER
55	0	LY541.00
80	1	LY541.01
130	2	LY541.02
170	3	LY541.03
180	4	LY541.04



**LED
LIGHTING**



Fig.	Handle	Complete Set
1 - 3	Medium	LY620.12
1 - 4	Medium	LY620.10

Fig.	Handle	Complete Set
1 - 3	Medium	LY640.30
1 - 4	Medium	LY640.40



Anesthesia (Catheter Introducing Forceps)

**WARM
LIGHTING**

**LED
LIGHTING**

Spare Lamps for
conventional blades

Small



LY200.10

Large



LY200.12



LY199.33



LY199.19



LY199.29



LY399.33



LY399.19



LY399.29



LY400.24

Spare Cartridge
for fiberoptic handles
LY.399.19 - LY.399.33

Catheter forceps



MAGILL

Paediatric



LY010.15
16 cm/6¼"

for infants

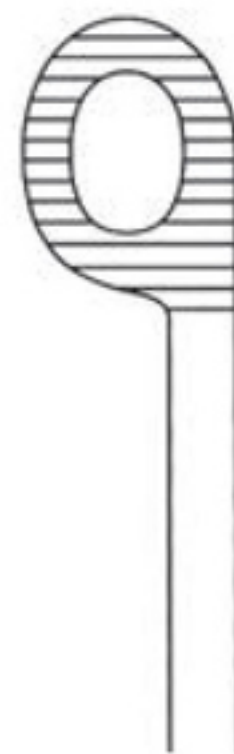
Adult



LY010.20
20 cm/8"

for children

Adult



LY010.25
25 cm/9¾"

for adults